

# 4031 M30

**FOR MARINE APPLICATIONS**  
3 CYLINDERS IN LINE - DIESEL CYCLE  
22.1 kW (30 CV) @ 3600 rpm (A1)



T E C H N O L O G I C A L E X C E L L E N C E

**IVECO  
MOTORS**

## 4031 M30 FOR MARINE APPLICATIONS

Thermodynamic cycle		Diesel 4 stroke - D.I.
Air intake		NA
Arrangement		3L
Bore x Stroke	mm	75 X 77.6
Total displacement	l	1.028
Valves per cylinder		2
Cooling		liquid
Direction of rotation (viewed facing flywheel)		CCW
Compression ratio		22.8 : 1
Rotation mass moment of inertia (without flywheel)	kgm <sup>2</sup>	-
Standard flywheel inertia	kgm <sup>2</sup>	0.064

### Air induction

Max suggested intake restriction with clean air filter	kPa(bar)	3.5 (0.035)
Max allowable restriction with dirty air filter	kPa(bar)	-
Air requirement for combustion at 100% load/rated speed (comb. + ventilation)	kg/h (m <sup>3</sup> /h)	130 (111)
Turbocharging pressure at full load/rated speed	kPa(bar)	-
Turbocharging air max temperature (engine inlet)	°C	-

### Exhaust system

Max allowable backpressure	kPa(bar)	14.6 (0.14)
Max exhaust temperature at maximum power	°C	580
Exhaust flow at max output	kg/h	139

### Lubrication system

Minimum oil pressure at idle (at 100°C)	kPa(bar)	70 (0.7)
Max oil temperature at full load/rated speed	°C	130
Engine angularity limits continuous operation: max front up and front down	0/360	25
max left hand and right hand	0/360	25
Total system capacity including pipes, filters etc.	liters	3

### Sea water cooling system (open circuit)

Max intake restriction	kPa(bar)	50 (0.5)
Sea water pump flow	m <sup>3</sup> /h	1.5
Heat rejected (total) at max power	kJ/s(kcal/h)	18.9 (16,200)
Sacrificial zinc anodes	n°	1

### Cooling system (closed circuit)

Coolant capacity (engine only)	liters	3
Water pump flow at rated speed	m <sup>3</sup> /h	2.7
Thermostat (modulating range)	°C	80 ÷ 95
Cooling liquid max temperature	°C	88
Min/max inner pressure in the cooling circuit (for keel cooling)	kPa(bar)	-
External cooling system max pressure drop (for keel cooling)	kPa(bar)	-

### Fuel system

Injection system		Unit Injection
Gas oil max intake restriction	kPa(bar)	-
Gas oil max intake temperature	°C	60
Max fuel backpressure to tank	kPa(bar)	20 (0.2)

### Electrical system

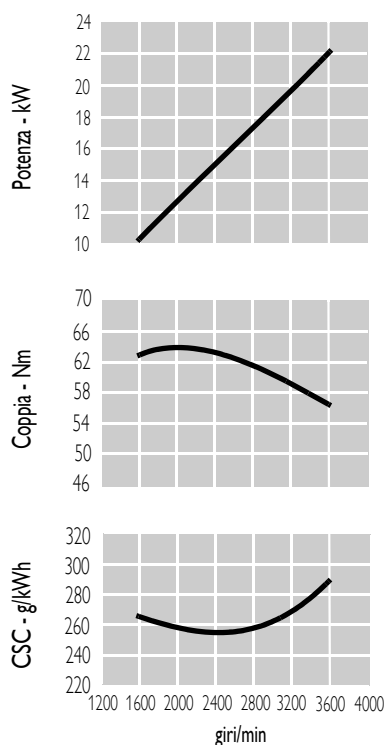
Voltage	V	12
---------	---	----

## 4031 M30 FOR MARINE APPLICATIONS

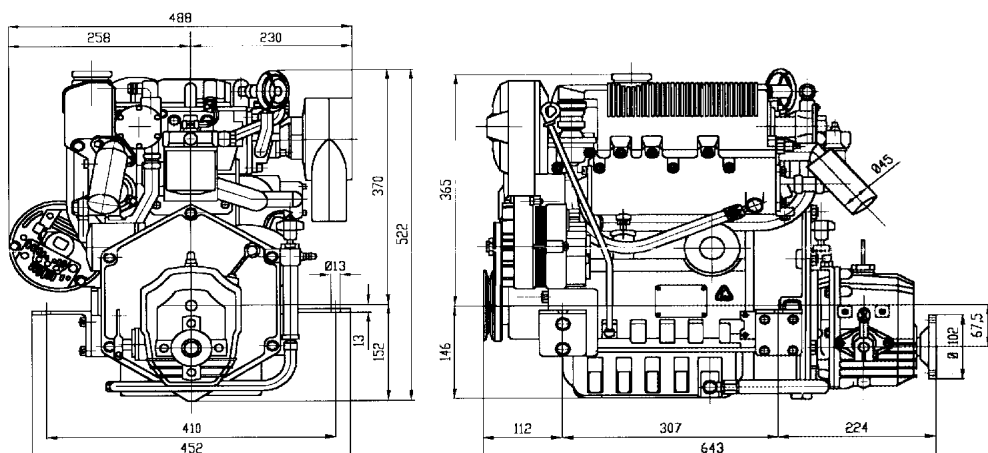
Rating type		A1
Maximum power *	kW(CV)	22.1 (30)
At speed	rpm	3600
Maximum no load governed speed at max rating	rpm	3850
Minimum idling speed	rpm	850 ± 50
Mean piston speed at rated speed	m/s	9.3
BMEP at max torque	kg/cm <sup>2</sup>	7.56
Available certifications		-
Specific fuel consumption at full load (best value)	g/kWh @ rpm	256 @ 2400
Oil consumption at max rating	(% of fuel consumption)	≤ 0.2
Minimum starting temperature without auxiliaries	°C	- 20
Oil and oil filter maintenance interval for replacement	hours	250 oil / 125 filters
Dry weight (without marine gear)	kg	115

\* **Net Power** at flywheel according to ISO 3046/1, after 50 hours running, fuel Diesel EN 590. Power tolerance 5%  
**Test conditions** : ISO 3046/1, 25 °C air temperature, 100 kPa atmospheric pressure, 30 % relative humidity.

### A1



A1 = High performance crafts.  
 Full throttle operation restricted within 10% of total use period.  
 Cruising speed at engine rpm < 90% of rated speed setting - Maximum usage 300 hours per year.



## 4031 M30 FOR MARINE APPLICATIONS

### Standard configuration

Flywheel housing	SAE	B
Flywheel size	inch	alignment, flexible coupling Ø 121.5 mm
Air filter		dry
Turbocharger		-
Heat exchanger		tube type
Exhaust cooled elbow		stainless steel Ø 45 mm
Water charge tank		included
Fuel filter	n°	1 - rear side
Fuel prefilter		-
Fuel pump		included
Oil filter	n°	1 - left side
Oil sump		pressed steel with corrosion inhibiting treatment
Oil vapours blow-by circuit		yes
Oil heat exchanger		-
Oil filler		on timing cover frontward
Starting motor		12 V - 1.1 kW
Alternator		12 V - 65 A
Engine stop device		electrical excitation
Wiring harness		wiring harness and electrical panel
Painting	colour	white "ICE"

### Not included in the standard configuration

Battery - minimum capacity recommended		66 Ah
Battery - minimum cold cranking capacity recommended		-

**IVECO MOTORS OFFERS THE WIDEST AVAILABILITY OF ENGINE BUILD OPTIONS TO CUSTOMER SPECIFIC REQUIREMENTS WITHIN THE ENGINE SUPPLY. TO FIND OUT MORE ABOUT THE CONFIGURATIONS AND ACCESSORIES WHICH ARE AVAILABLE, CONTACT THE IVECO MOTORS SALES NETWORK.**

### HEAD OFFICE AND BRANCHES

<p><b>IVECO S.p.A.</b> Iveco Motors Lungo Stura Lazio, 49 - 10156 Torino Tel. +39 (011) 0076245 - Fax +39 (011) 0076275 www.ivecomotors.com</p>	<p><b>Italy</b></p>	<p><b>IVECO S.p.A.</b> Iveco Motors Viale dell'Industria, 15/17 - 20010 Pregnana Milanese - Milano Tel. +39 (02) 935101 - Fax +39 (02) 93590029</p>	<p><b>Italy</b></p>
<p><b>IVECO FRANCE S.A.</b> Iveco Motors 50 Rue Ampère - B.P. 103 - 69685 Chassieu Cedex Tel. +33 (04) 72472222 - Fax +33 (04) 78905990</p>	<p><b>France</b></p>	<p><b>IVECO N.V.</b> Iveco Motors - Liaison office-India Second Floor - 50, Okhla Industrial Estate - Phase III 110020 New Delhi Tel. +91 11 51613573 - Fax +91 11 26931271</p>	<p><b>India</b></p>
<p><b>IVECO MAGIRUS A.G.</b> Iveco Motors Heiner Fleischmann-Strasse, 9 - 74172 Neckarsulm Tel. +49 (07132) 97690 - Fax +49 (07132) 976935</p>	<p><b>Germany</b></p>	<p><b>IVECO FIAT Representative Office in P.R. China</b> 10/F Jinling Hotel World Trade Center 2 Hanzhong Road - 210005 Nanjing. Tel. +86 25 4710981 - Fax +86 25 4701105</p>	<p><b>China</b></p>
<p><b>IVECO U.K. Ltd</b> Iveco Motors Road One - Industrial Estate CW7 3QP Winsford Tel. +44 (01606) 541027 - Fax +44 (01606) 541124</p>	<p><b>Great Britain</b></p>	<p><b>IVECO LATIN AMERICA Ltda.</b> Iveco Motors Rua Alameda da Serra, 222 Vale do Sereno - 34000 - 000 Nova Lima (MG) Tel. +55 31 3286 3732/33/34 - Fax +55 31 3286 3735</p>	<p><b>Brazil</b></p>
<p><b>IVECO SWEDEN A.B.</b> Iveco Motors Lergöskgatan, 12 - 42150 Västra Frölunda Tel. +46 (31) 492450 - Fax +46 (31) 492457</p>	<p><b>Sweden</b></p>	<p><b>IVECO Motors of N.A.</b> 245 E. North Avenue Carol Stream, IL 60188 - 2021 USA Tel. +1 630 260 4226 - Fax +1 630 260 4267</p>	<p><b>North America</b></p>

Local Distributor